



Di Lusso R4 with four sided frame

# Di LUS<sup>o</sup>SO<sup>R4</sup>

Living Art

Art consists of limitation.  
The most beautiful part  
of every picture is the  
frame.

Gilbert K. Chesterton



Di Lusso R4 with three sided frame and multifuel grate option

### Style unlimited.

With graceful form and impeccable credentials, the Di Lusso R4 is the perfect blend of beauty and purpose. Forget traditional wood-burners with protruding handles, and sketch this sculpted icon into your design mock-ups.

**Icona Futuro...** Designed for designers, the Di Lusso R4 epitomises smooth Italian chic. It's got the trustworthy performance of a Vespa and the smooth finish of espresso crema. This sleek, flush-to-the-wall stove brings you real flames – in a modern frame. Hidden controls and a wide glass panel provide dramatically unrestricted viewing pleasure. In the stove industry, it's revolutionary – and destined to become an icon of the future.

**Come ti piace...** Perfect for the design-conscious stylist, the Di Lusso R4 is designed to give you more choices. Simple and adaptable, it offers several creative options. Place it halfway up the wall or use it like a classic fire. Choose a three or four-sided frame in graphite black or sleek pewter. In most installations there is no need to install an airbrick\* (see page 4) and the rotating flue collar means that it can be connected vertically, or at a 30° angle.



Clean style,  
remarkably  
clean burn.



Di Lusso R4 with four sided frame



**Tested to the  
stringent Norwegian  
emission standard  
NS 3058/59**

Because smoke levels are so minimal (0.2X), it's even tested to the more exacting Scandinavian emission standards DS EN 13229 and NS 3058/59. – giving you utmost environmental peace of mind.

**Environmentally  
conscious...** If you're concerned about your carbon footprint, emission level is a key issue. The clean-styled Di Lusso R4 incorporates our signature CleanBurn technology, designed to satisfy the most rigorous European criteria. With a

**Exactly engineered...** For our engineers, the Di Lusso's cutting-edge technology is as thrilling as its appearance. The control door hides an innovative, patented\*\* control system: a light touch is all that's needed to open the little door and adjust airflow levels. TripleBurn Plus® enhances ignition to maximise fuel efficiency, while a hot airwash keeps the glass clear from deposits. You have a choice of wood or solid fuel, allowing you to optimise your heating system.



**British-made...** Designed by our team in Cornwall and built on our own premises in Devon, this Italian-inspired masterpiece is assembled to order, according to your specification. Visit the Di Lusso website to find your local stockist and arrange a viewing or make an appointment to discuss fitting.

# Technical

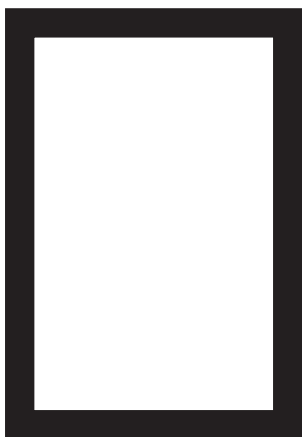
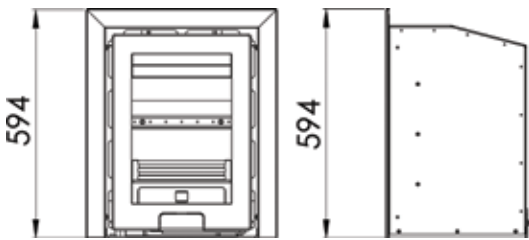
Please contact your local stockist to discuss fitting arrangements.

Technical Key	
Output Nominal kW	4.9
Efficiency on Wood %	79
Multi Fuel	•
Wood Burning Only	✓
Black Finish (paint)	✓
Pewter Finish (paint)	•
3 Sided Frame	✓
4 Sided Frame	•
Log Length	250mm

✓ = standard  
• = option

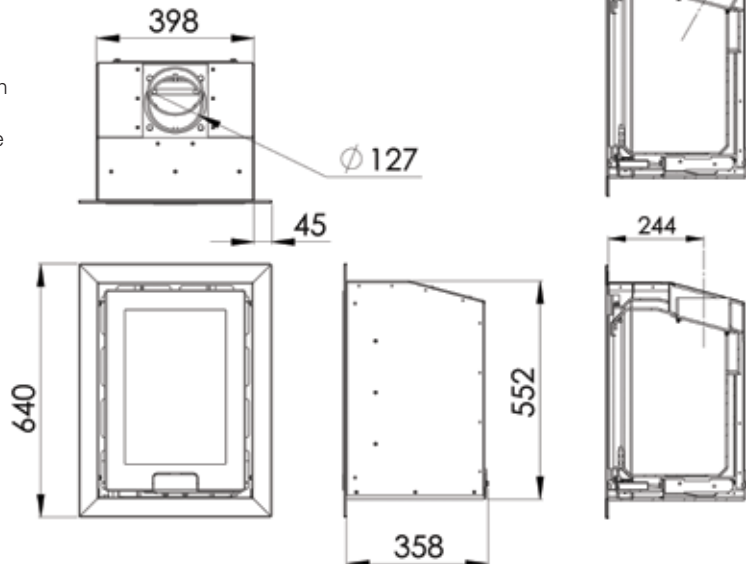
The Di Lusso R4 can be fitted into (but is not limited to) a standard 16" fireplace, with the fire back removed. The Di Lusso R4 requires a hearth and adequate ventilation. Check with installer for current ventilation requirements. It is not suitable for a shared flue.

## 3 Sided Frame



NB. Width and depth dimensions are the same for both frame options.

## 4 Sided Frame



A. One click access integrated door handle\*



B. TripleBurn<sup>®</sup> Plus Control System

\* The air controls can be accessed without disengaging the door catch. The door handle is unlatched and swung to the position shown in picture B. When opened further the door catch is released and the door opens.

\*\* Patent applied for.

# Di Lusso